

CONSUMER: KEEP INSTRUCTIONS AND READ BEFORE EACH USE.



# INSTALLATION INSTRUCTIONS FOR HITCH MOUNTED CARGO CARRIER

DO NOT EXCEED LOWER OF VEHICLE  
MFR'S TONGUE WEIGHT RATING OR  
HITCH TONGUE WEIGHT RATING OR

TOOLS REQUIRED: 7/16 & 9/16 WRENCH

CARGO CARRIER	RATING
6500 (20" X 48")	300 LB.
6501 (20" X 60")	500 LB.

APPROVED FOR USE WITH  
DRAW-TITE PRODUCTS.

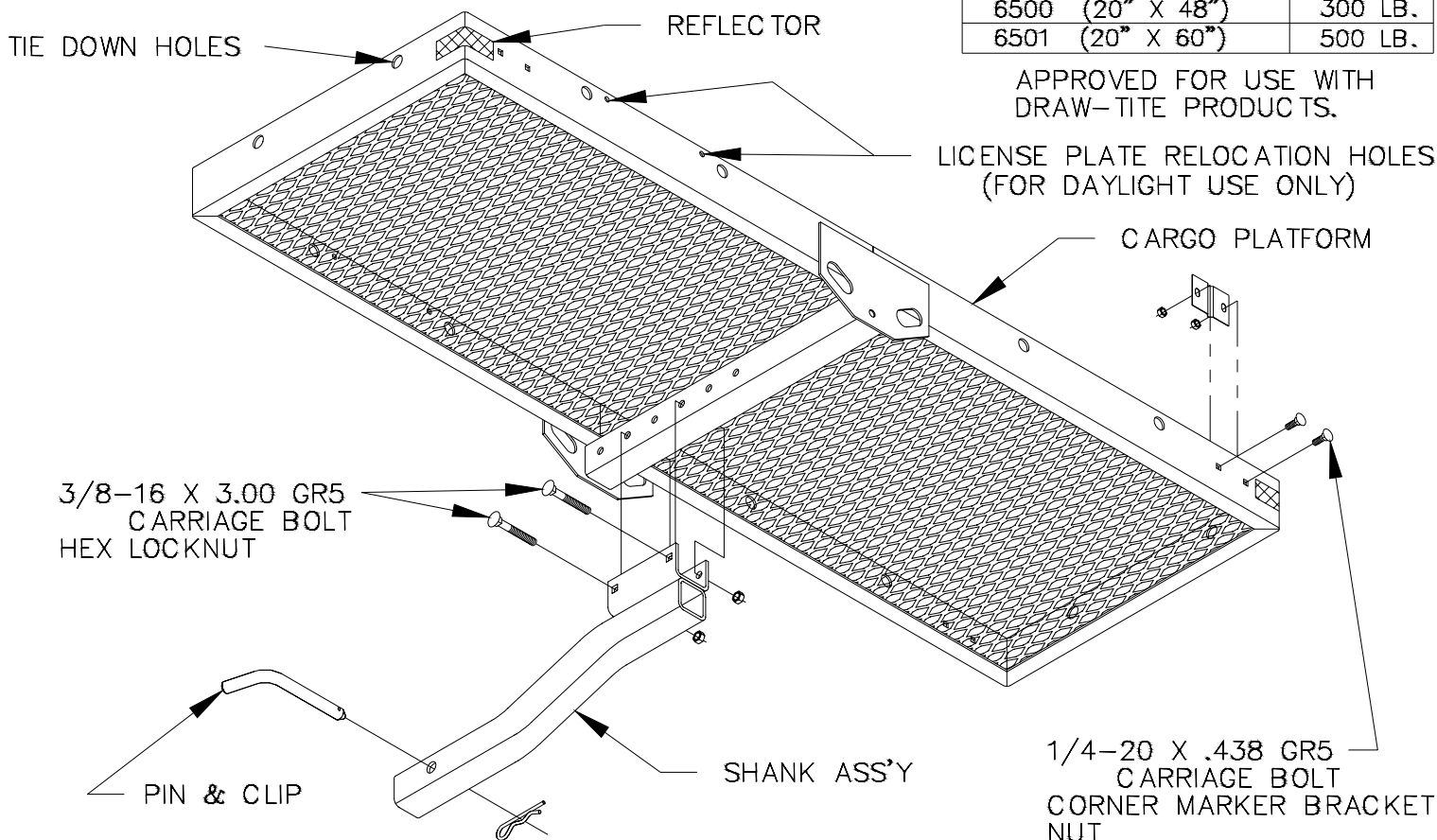


FIGURE 1

1. PLACE SHANK ASS'Y IN RECEIVER ON VEHICLE AND ATTACH PIN AND CLIP.
2. PLACE CARGO PLATFORM ON SHANK ASS'Y AND ADJUST CARGO PLATFORM FOR PROPER CLEARANCE FROM BUMPER (MINIMUM 1" TO MAXIMUM 4").

NOTE: CARGO PLATFORM CAN BE ROTATED 180° FOR FURTHER ADJUSTMENT.

3. INSTALL SHANK ASS'Y FASTENERS AS SHOWN IN FIGURE 1 AND TIGHTEN TO 20 LB-FT.
4. APPLY REFLECTORS TO REAR CORNERS OF CARGO PLATFORM AS SHOWN IN FIGURE 1.

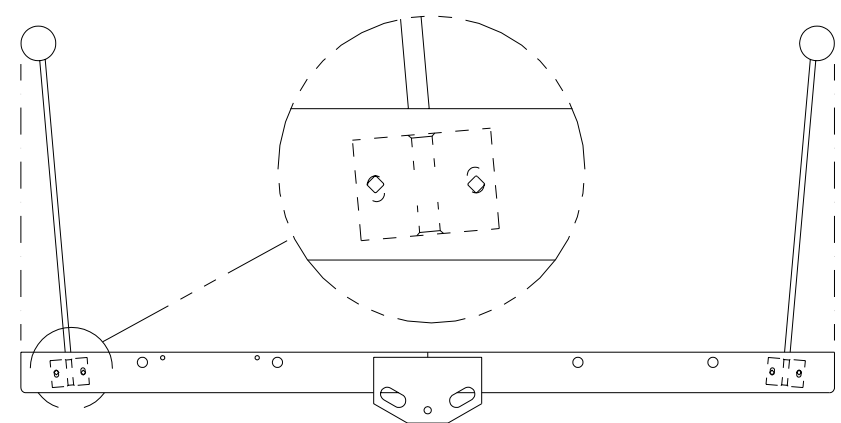


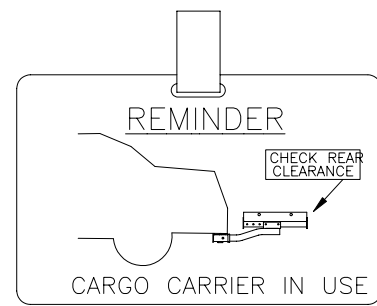
FIGURE 2

5. INSTALL CORNER MARKER BRACKETS AND FASTENERS AS SHOWN IN FIGURE 1.
6. INSERT ROD INTO CORNER MARKER BRACKET AND ROTATE AS SHOWN IN FIGURE 2.
7. TIGHTEN CORNER MARKER BRACKET FASTENERS TO 5 LB-FT.

8. ATTACH CLIP TO REMINDER CARD.

### DASHBOARD REMINDER

DURING USE ATTACH IN A VISIBLE LOCATION NEAR THE DRIVER (EXAMPLE: A HEATING/COOLING VENT). DO NOT ATTACH TO REAR VIEW MIRROR OR WHERE IT WILL OBSCURE THE VIEW OF THE ROAD.



## ACCESSORIES

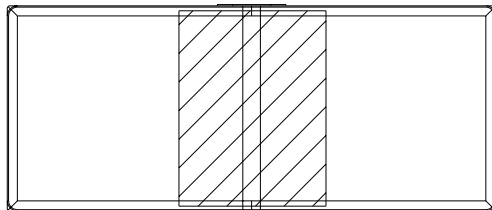
- \* 6503 – 2” SHANK KIT FOR 6500 CARGO CARRIER.  
(ALLOWS 6500 TO BE USED IN 2” RECEIVER).
- \* 6504 – CARGO CARRIER LIGHT KIT.
- \* 6505 – CARGO CARRIER BIKE CARRIER (CAPACITY 4 BIKES).  
FOR USE ON 6500 WITH CHILDRENS BIKES (20” TIRES OR LESS).  
FOR USE ON 6501 WITH ADULT & CHILDRENS BIKES.
- \* 5997 – 6FT COMBINATION CABLE LOCK.

## WARNING

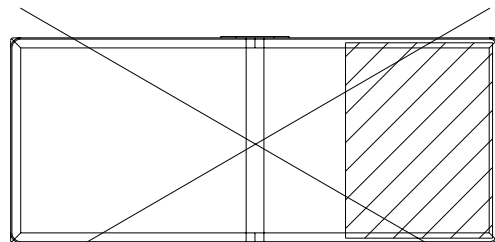
- \* NOT FOR TRANSPORT OF PEOPLE, ANIMALS, OR FLAMMABLE LIQUIDS.
- \* MAKE SURE THERE IS SUFFICIENT CLEARANCE BETWEEN EXHAUST OUTLET AND CARGO—TO AVOID FIRE HAZARD.
- \* USE LIGHT KIT (6504) IF LOAD OR CARGO CARRIER BLOCKS THE TAILLIGHTS OR TURN SIGNALS.

## CAUTION

- \* THE CARGO CARRIER LOAD RATING IS THE LOWEST OF THE FOLLOWING:
  - CARGO CARRIER RATING
  - HITCH TONGUE WEIGHT RATING
  - VEHICLE MANUFACTURER TONGUE WEIGHT RATING
- \* CENTER OF GRAVITY OF LOAD MUST BE POSITIONED WITHIN MIDDLE THIRD OF PLATFORM.



CORRECT



WRONG

- \* SECURELY FASTEN LOAD TO CARGO PLATFORM USING THE TIE DOWN HOLES.
- \* CHECK SECURITY OF LOAD, FASTENERS, PIN, & CLIP AT ALL FUEL AND REST STOPS.
- \* SEVERE BUMPS CAN DAMAGE YOUR TOWING VEHICLE, HITCH AND CARGO CARRIER. DRIVE SLOWLY ON ROUGH ROADS. STOP AND MAKE A THOROUGH INSPECTION IF YOUR CARGO CARRIER STRIKES THE ROAD. CORRECT ANY PROBLEMS BEFORE RESUMING TRAVEL.
- \* DO NOT CUT, DRILL, WELD, OR MODIFY CARGO CARRIER.
- \* DO NOT CARRY LOADS WIDER THAN YOUR VEHICLE.
- \* RELOCATE LICENSE PLATE IF BLOCKED BY LOAD OR CARGO CARRIER.
  - FOR DAYLIGHT, RELOCATE LICENSE PLATE TO HOLES PROVIDED, SEE FIG 1.
  - FOR NIGHTTIME, USE LIGHT KIT (6504).